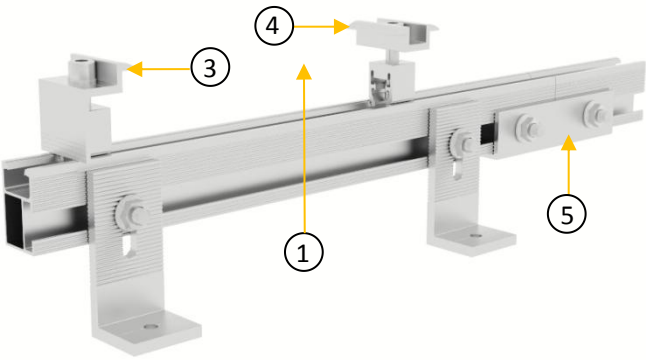
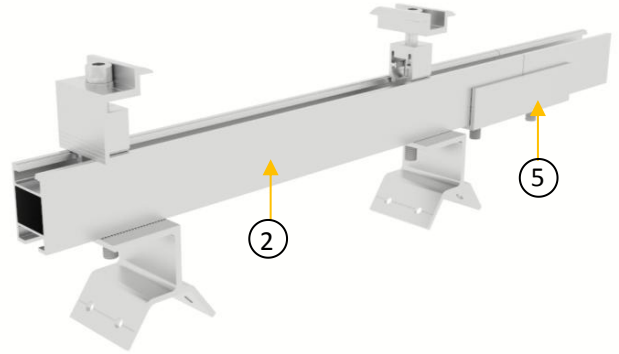


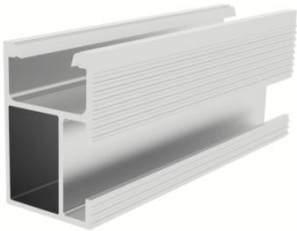
## Clamps fixed on the side of the rail



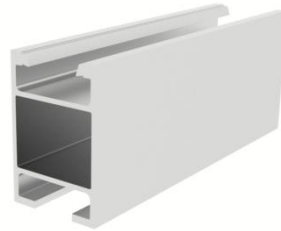
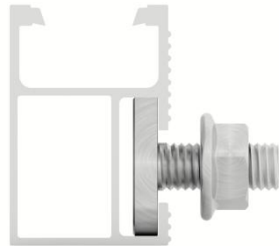
## Clamps fixed on the bottom of the rail



Using T bolt to connect the rail with clamps, it is very easy to install and fix firmly.



① MG-RR-CL3



② MG-RR-CL4



③ MG-NEC-F



④ MG-NMC-F MG-RRC-CA-03

